



Sliding Intermediate Bearing

- [Marine Sliding Intermediate Bearing](#)
- [Scope of application](#)
- [Pictures](#)
- [3 structural styles](#)
- [Drawings & Specifications](#)

Application

The marine sliding intermediate bearing is designed and manufactured according to the GB/T14364 standard, which is widely applied in the intermediate bearing of new build export marine propellers.

Scope of application

linear velocity 1.5~8 m/s

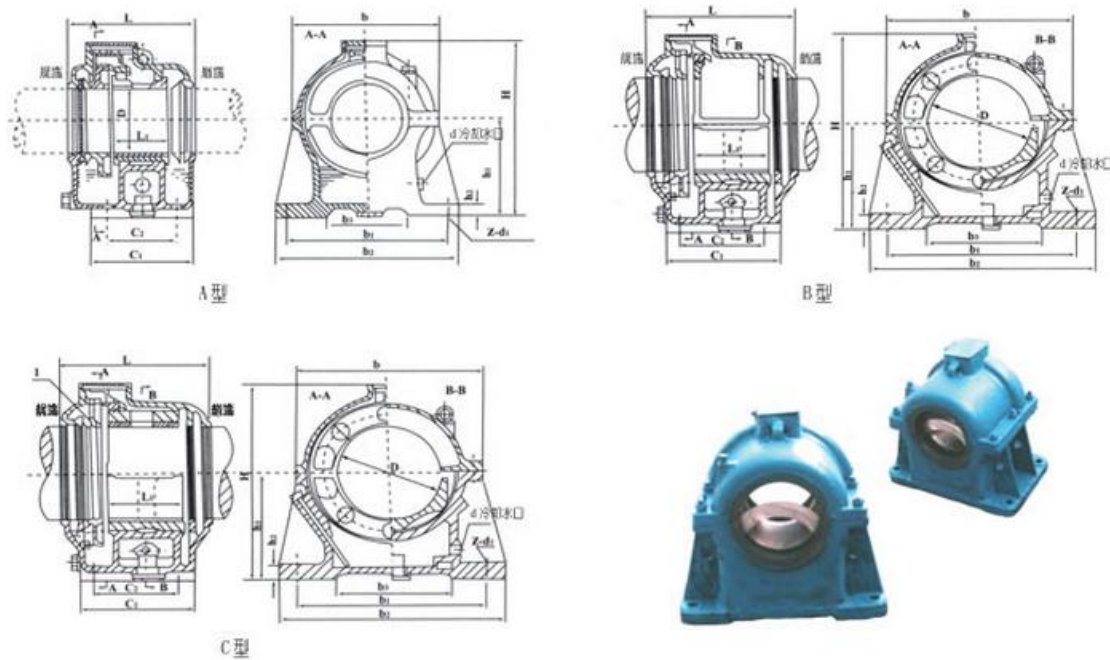
unit pressure ≤ 0.6 Mpa

lubricating oil temperature 650C

cooling water amount 0.5~7 t/h

Three structural styles of sliding intermediate bearings:

Type	Structural style	Shaft diameter	Parameter for design
A	Single oil wedge sliding type with the upper bearing shell	80~220	For the intermediate shaft bearing of a minimal ship which closes to a stern tube or after compute which has load pressure
B	Multiply oil wedge sliding type	250~800	For the intermediate shaft bearing of a large ship
C	Multiply oil wedge sliding type with the upper bearing shell	250~800	For the intermediate shaft bearing of a large ship which closes to stern tube or after compute which has load pressure



Marine Sliding Intermediate Bearing Specifications:

Type	D	L	L1	H	h1	h2	b	b1	b2	b3	C1	C2	d	z-d1	Weight (kg)			
	mm														A	B	C	
A	80	80	190	65	262	135	23	220	250	296	115	185	125	G3/4	' 4-21	35		
	100	100	200	80	270	145	23	240	270	316	120	195	135	G3/4	' 4-21	40		
	120	120	225	100	312	160	25	270	300	350	150	220	160	G3/4	' 4-21	50		
	140	140	250	115	370	190	28	304	340	390	170	244	194	G3/4	' 4-21	63		
	160	160	280	130	400	205	28	330	370	420	200	274	224	G3/4	' 4-21	75		
	180	180	335	145	485	265	30	400	450	510	220	280	230	20	' 4-25	124		
	200	200	350	160	496	275	35	410	450	510	270	326	250	20	' 4-26	136		
	220	220	380	180	544	292	38	430	490	566	280	374	298	20	' 4-27	165		
B	250	250	420	195	580	300	40	490	530	610	320	322	250	20	4-32		173	187
	280	280	450	215	620	310	40	520	560	630	340	340	270	20	4-32		177	191
	300	300	480	230	635	320	40	550	590	660	360	370	298	20	4-32		205	223
	320	320	500	250	690	350	50	580	630	700	380	390	320	20	4-32		235	265
	350	350	530	270	780	400	50	650	700	780	420	418	334	20	4-38		310	360



	380	380	560	290	790	420	55	710	760	840	430	460	380	25	4-38		401	474
	400	400	590	300	810	440	55	730	780	860	450	490	400	25	4-38		450	530
	420	420	620	320	900	460	65	770	820	920	460	500	400	25	4-44		558	650
	450	450	660	340	930	480	65	810	840	940	480	528	424	32	4-44		962	1090
	480	480	680	360	960	500	65	820	870	970	500	545	445	32	4-50		1060	1100
	500	500	710	380	1060	570	70	900	1000	1120	520	600	480	32	4-50		1100	1200
	530	530	730	410	1090	580	70	920	1020	1140	550	620	500	32	4-50		1174	1320
	560	560	780	430	1140	620	75	970	1080	1200	600	674	554	32	4-50		1350	1590
C	600	600	820	460	1180	650	75	1000	1130	1260	640	700	580	32	4-50			
	630	630	860	480	1220	670	80	1060	1170	1300	670	720	600	32	4-50			
	670	670	920	510	1260	690	85	1150	1250	1370	710	750	630	32	6-50			2000
	710	710	960	540	1330	710	85	1200	1340	1470	900	800	670	32	6-50			
	750	750	1050	570	1400	750	90	1260	1420	1580	1000	850	710	32	6-50			
	800	800	1100	610	1480	800	90	1300	1460	1620	1100	920	760	32	6-50			

The description/sizes may be different with goods, please check with us when ordering.

Noah Marine Services (China)

Tingting: +86 159-6706-1188

sales@noah-marineservices.com

Peter Ye: +86 137-7774-8833

info@noah-marineservices.com

Sanqiao Industrial Zone, Oubei Town, Yongjia County, Wenzhou City, Zhejiang Province, China