



## Shaft lubrication oil tank



- [Shaft lubrication oil tank](#)
- [Features and Advantages:](#)
- [Remarks:](#)

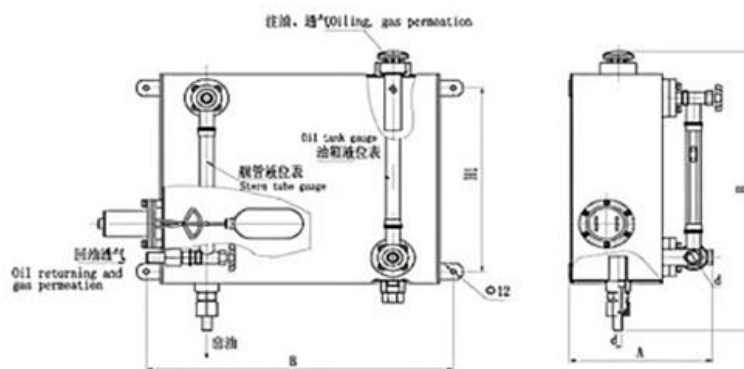
### Shaft lubrication oil tank

The lubricating oil tank is used to store the oil source. Above 30L, the tank can be equipped with a low oil level alarm device.

The lubricating oil is stored in the bottom of the crankcase, a drain tank located under the engine. From this Shaft lubrication oil tank, the lubricating oil passes through a filter (one of a pair of [pumps](#)) into one of a pair of fine filters. It is then passed through the cooler and distributed to various branch pipes before entering the engine.

### Features and Advantages:

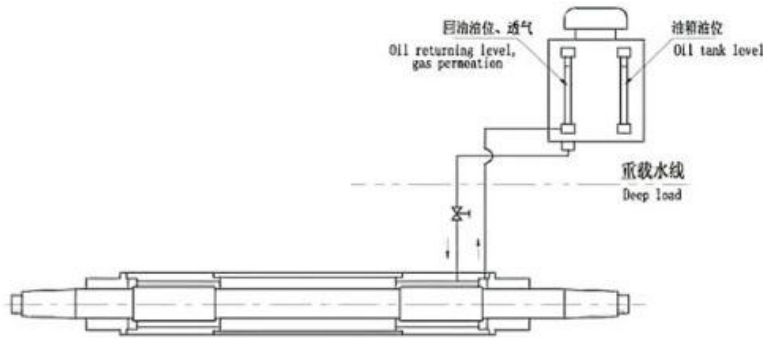
1. High quality and compact
2. High security, outstanding performance
3. Stable and smooth work
4. Simple installation and easy maintenance
5. Corrosion-resistant and long service life
6. Service reliability
7. **Personalized** Customization





**Remarks:**

1. The present system does not need an oil pump.
2. The oil level won't be lower than the deep load.
3. It is applicable to vessels whose sea gauge is no deeper than 10m
4. The lubrication oil brand should be the same as that of the main unit.



Principles of stern shaft lubricating system

**Stern Shaft Diameter**

Model	Capacity	A	B	H	H1	d	One Shaft with One Oil Tank	Two Shaft with one Oil Tank	Weight
15CB*3333	15L	245	379	630	369	15	>=70 and <=120	<70	10
30CB*3333	30L	245	520	730	460	15	>120 and <=170	>=70 and <=120	15
50CB*3333	50L	245	285	730	460	20	>170		18

t is taken by most marine electrical systems.



## Noah Marine Services (China)

Tingting: +86 159-6706-1188

[sales@noah-marineservices.com](mailto:sales@noah-marineservices.com)

Peter Ye: +86 137-7774-8833

[info@noah-marineservices.com](mailto:info@noah-marineservices.com)

Sanqiao Industrial Zone, Oubei Town, Yongjia County, Wenzhou City, Zhejiang Province, China