



Integral Rubber Bearing

- [Marine Integral Rubber Bearing](#)
- [Integral Rubber Bearing Pictures](#)
- [Marine Integral-type Rubber Bearing Data](#)
- [Noah Marine Integral Rubber Bearing](#)

Marine Integral Rubber Bearing

Marine Integral-type Rubber Bearing is designed in accordance with the standard CB*769-86, suitable for the [bearings](#) whose water lubrication pressure is no more than 490KPa (cooling water temperature is less than 55°C). If the product matches our water lubrication stern [shaft](#) seal. It can not only save resources and reduce loss but also can be maintained without going into a dock. This integral structure may be used within $\Phi 200$ and the embedding structure would be used if excess $\Phi 200$.

Material: Rubber

Standard: CB*769-86

Application: be used when the lubrication medium of the stern tube is water

Integral Rubber Bearing Pictures



Marine Integral-type Rubber Bearing Data

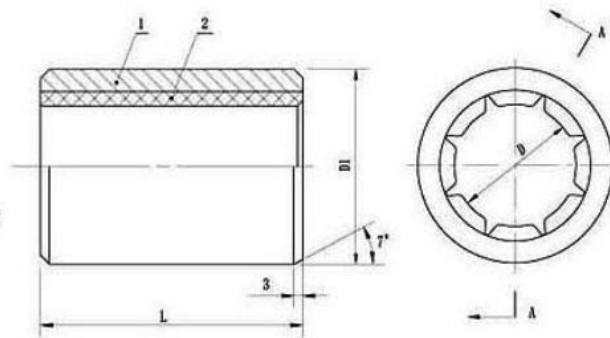
D (mm)	D1 (mm)	L (mm)	Weight (kg)
--------	---------	--------	-------------



		Normal Type	Extension Type	Normal Type	Extension Type
40	64	120	140	1.01	1.178
45	68	135	155	1.114	1.297
50	74	150	170	1.488	1.686
55	78	150	170	1.32	1.496
60	84	165	210	1.729	2.2
65	88	180	230	1.795	2.294
70	96	190	250	2.733	3.6
75	102	210	270	3.225	4.185
80	108	220	290	3.661	4.825
85	114	240	300	4.551	5.688
90	120	250	320	5.367	6.87
95	125	260	340	5.817	7.603
100	130	280	350	6.531	8.164
105	137	290	370	7.681	9.8
110	144	300	385	8.953	11.49
120	156	330	420	11.963	15.226
125	163	163	440	14.227	18.412
130	170	170	450	17.193	21.492
140	182	182	480	19.663	24.837
150	194	194	520	24.575	31.168
160	206	206	550	30.24	37.8
170	218	218	580	35.956	45.396
180	228	228	620	38.594	47.857
190	238	238	650	42.053	52.567
200	250	250	680	50.162	62.019

1-铜衬套 Copper bushing
2-橡胶衬套 Rubber bushing

标注示例:
公称尺寸D=40mm 长度L=120mm
橡胶轴承40x120





Noah Marine Integral Rubber Bearing

Noah Marine Services is one of the most trusted marine suppliers to the global marine industry. Our spare bearings are used in [rudder](#), [shaft](#), and tail gear applications on a wide variety of vessels, from cargo ships, container ships, tankers, ocean liners, luxury yachts to port tugs, trawlers, and coastal fishing vessels.

With the continuous research and advancement of product technology, Noah Marine Integral Rubber Bearings now meet the highest quality standards in terms of material, workmanship, and dimensional accuracy. Our bearings have proven their mettle by operating in the harshest conditions, from the arctic to the tropics, shallow waters, and open seas.

Our bearings cover a wide range of shaft diameters (custom sizes are also available on request).

Noah Marine Services (China)

Tingting: +86 159-6706-1188

sales@noah-marineservices.com

Peter Ye: +86 137-7774-8833

info@noah-marineservices.com

Sanqiao Industrial Zone, Oubei Town, Yongjia County, Wenzhou City, Zhejiang Province, China